

# Auxiliary Power Supplies



## SINGLE PHASE

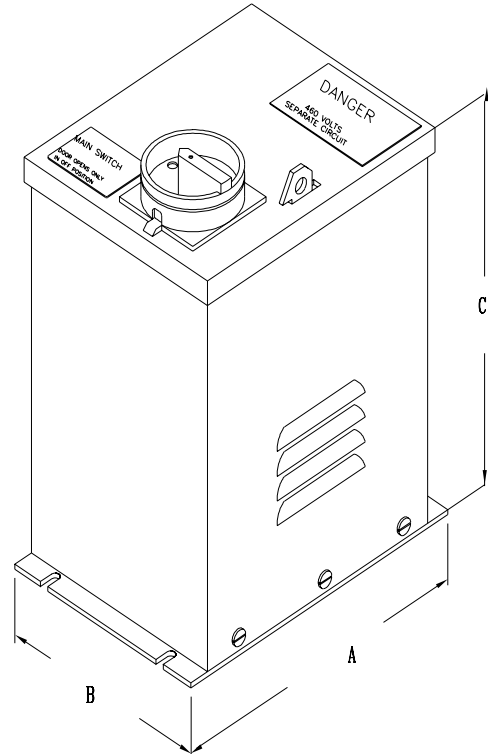
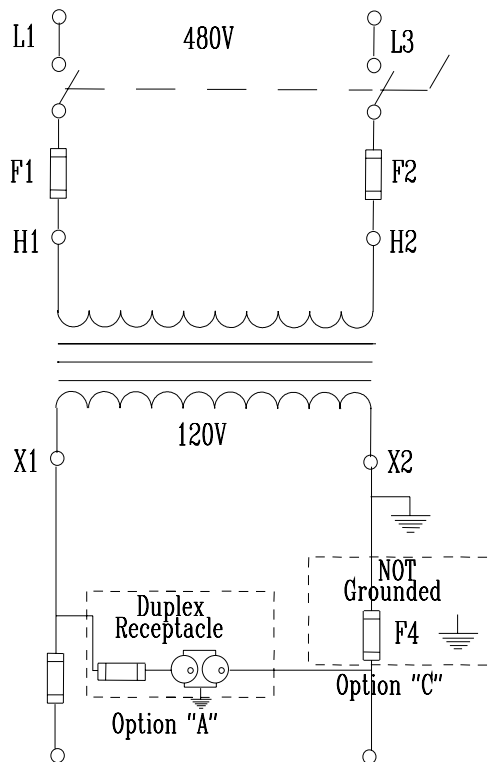
60 Hertz

**COMPACT POWER SOURCE**  
 Industrial Control Transformer  
 Fused Primary & Secondary Circuit  
 Grounded Secondary  
 Ventilated NEMA-1 Construction



" SLD " Series							
Primary	480	Approx. Dimensions ( in Inches )			Weight ( in lbs. )		
Secondary	120	VA Size	Catalog Number	A = Height		B = Width	C = Depth
		250	SLD-250	9.00	6.00	11.50	25
		500	SLD-500	9.00	6.00	11.50	25
		750	SLD-750	9.00	6.00	11.50	30
		1000	SLD-1000	9.00	6.00	11.50	30

Note: Add " S " to the Catalog Number for a **Shielded Transformer** ( ie. SLDS-1000 )



Disconnects with any other features and/or voltage combinations are available upon request.