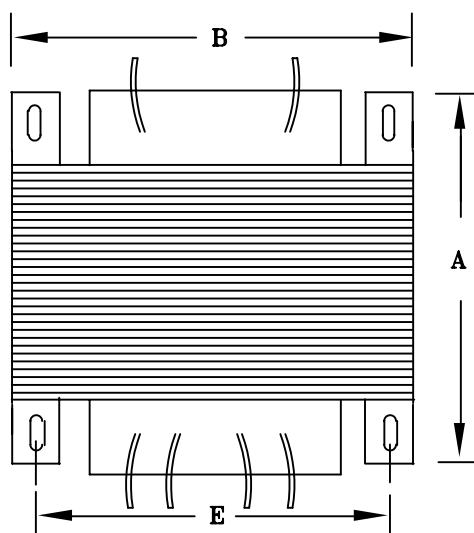




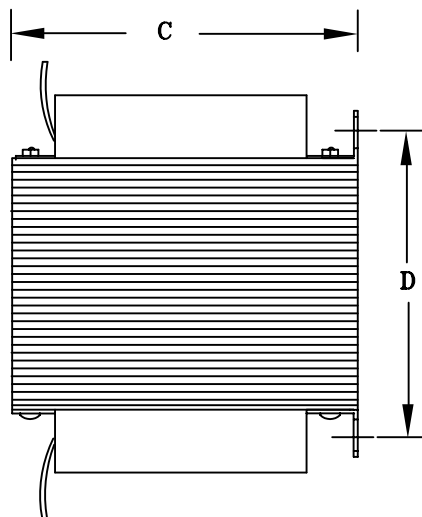
TYPICAL WIRING DIAGRAM

**NOTES:**

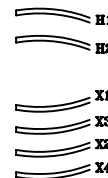
1. ALL UNITS ARE DESIGNED IN ACCORDANCE WITH INDUSTRY STANDARDS.
2. TRANSFORMERS ARE DRY-TYPE, CLASS AA, VENTILATED, OPEN-STYLE ASSEMBLY FOR INDOOR/CONTROL PANEL USE.
3. TRANSFORMER ARE BASE MOUNTED.
4. TRANSFORMERS ARE CONSTRUCTED BASED UPON A 40°C AMBIENT ENVIRONMENT.
5. MAINTAIN 1" CLEARANCE FROM ALL LIVE PARTS.



FRONT VIEW



SIDE VIEW



TERMINAL VIEW

**APPROXIMATE DIMENSIONS ( INCHES )**

| VA   | A    | B    | C    | D    | E    | F    | G    | H    | J    | K    | L    | STEEL  | lbs. | WEATHER SHIELD | TERMINAL TYPE |
|------|------|------|------|------|------|------|------|------|------|------|------|--------|------|----------------|---------------|
| 1500 | 6.50 | 7.50 | 6.75 | 4.75 | 6.00 | ---- | ---- | ---- | ---- | ---- | ---- | EI-250 | 50   | N/A            | LEADS         |

\* ELECTROSTATIC SHIELD GROUNDED TO TRANSFORMER CASE AT FACTORY ( IF APPLICABLE )

DRAWINGS  
 APPROVAL  
 RECORD  
 OTHER

|                        |  |         |           |  |  |
|------------------------|--|---------|-----------|--|--|
| PRIMARY VOLTAGE        | 2400   | CUST.   | XXXXXXXX  |  |  |
| SECONDARY VOLTAGE      | 120 / 240  | JOB     |           |  |  |
| TEMPERATURE RISE IN °C | 115  | CATALOG |           |  |  |
| WINDINGS & TERMINALS   | <input type="checkbox"/> ALUMINUM <input checked="" type="checkbox"/> COPPER | NOTE    | XXXXXXXX  |  |  |
| FREQUENCY              | 60   | BY      | ENG. LOG. | TITLE 1-PHASE, HIGH-VOLTAGE CLASS ISOLATION DRY TYPE TRANSFORMER |  |
| TAPS                   | NONE   | DATE    |           |  |  |
|                        |  | REV     | MFG. LOG. | DWG. NO.   |  |
|                        |  | DATE:   | DWG. FILE | F287L1500  |  |