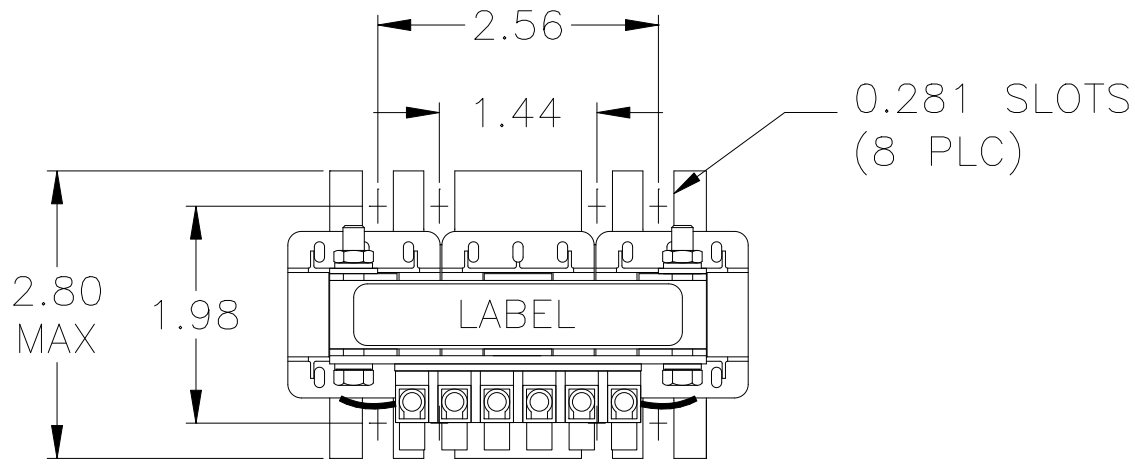


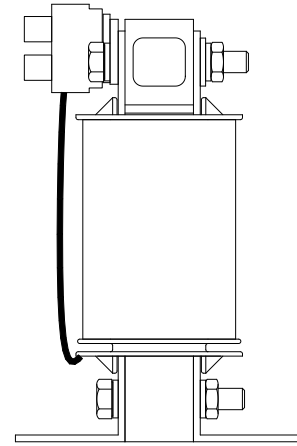
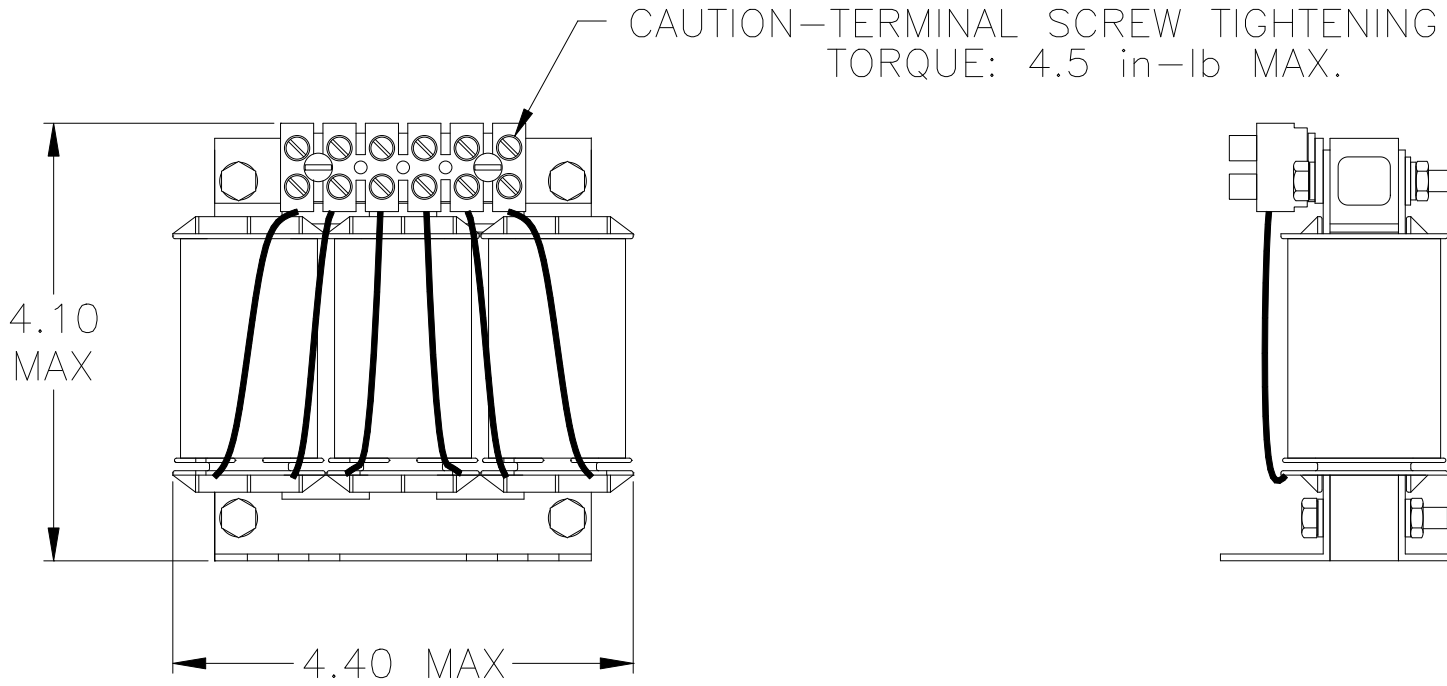
FILE: J:\CUSTDWG\CATRL\CD-00402

INDUCTANCE	LOSSES	WEIGHT
6.5 mH	20 Watts	4 Lbs

NO.	CHANGE DESCRIPTION	BY	DATE	C'K'D
-----	--------------------	----	------	-------



WIRE RANGE: 22-14 AWG



UNLESS OTHERWISE SPECIFIED, DIMENSIONS ARE IN INCHES [mm] AND TOLERANCES ARE:

DECI. FRAC.
 ANGLES DRILLED HOLES

PART NAME:	3-PHASE REACTOR
DESCRIPTION:	OUTLINE DIMENSION
FINISH:	

MTE CORPORATION MENOMONEE FALLS, WISCONSIN			
RL-00402			REV. 14
SCALE	NTS	DATE	11/7/97
REF.	DR. BY	JJB	APP'D